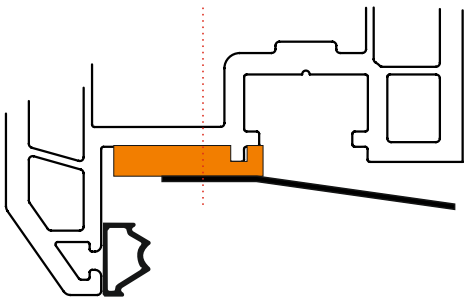
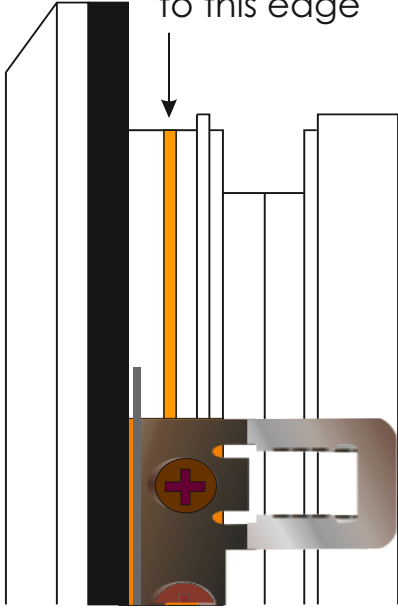


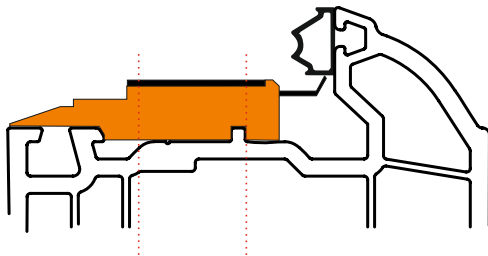
# Profile 22

(Part No. DSP24W)

Fit Sash Packer dowel  
to this edge

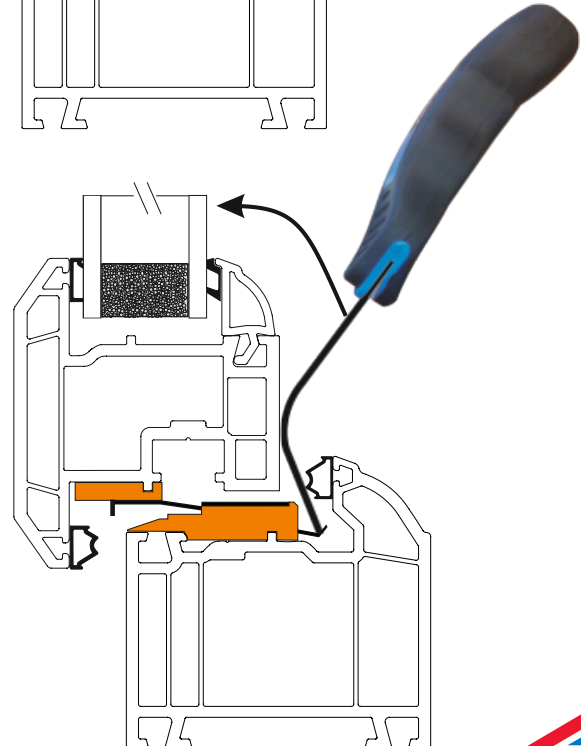
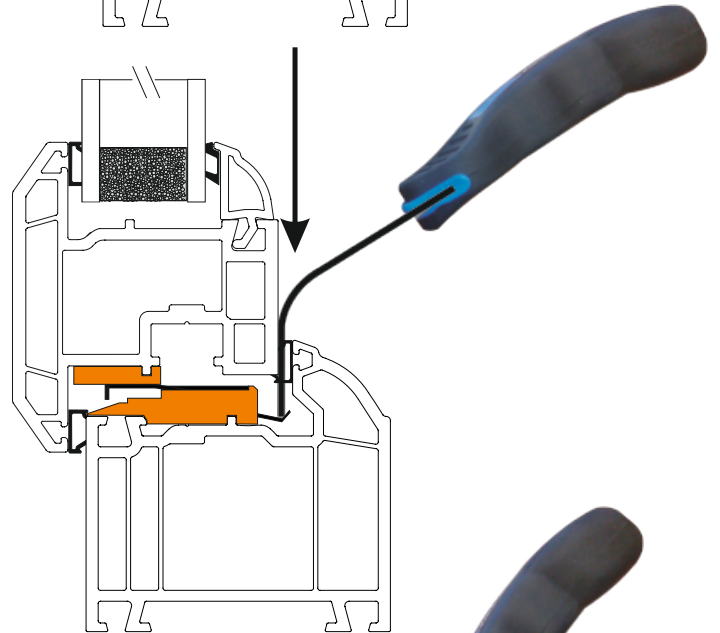
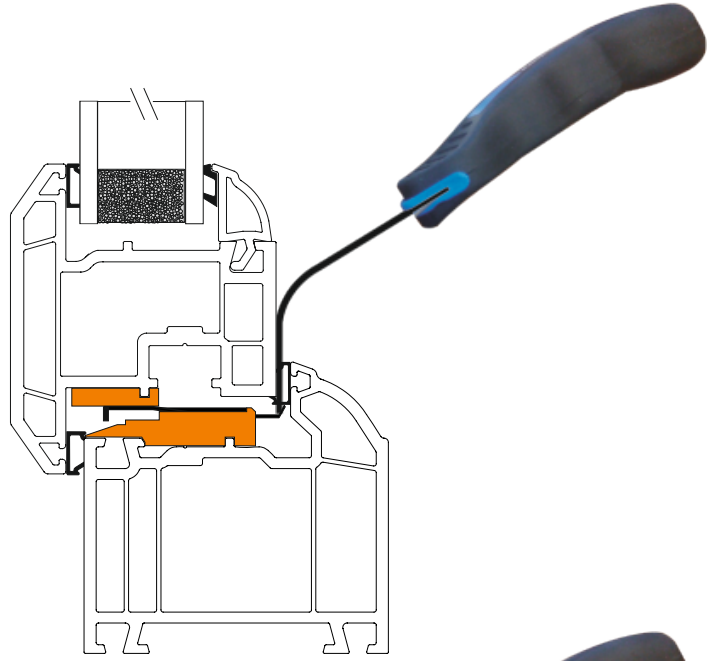


Screw centres



Drawings are not to scale

Reinforcing and fixing screws  
have been omitted for clarity



MADE IN THE UK

Patent No. GB2445676B

